

:: TECH SUPPORT

[> Gun Diagrams](#) [> Maintenance](#) [> Submit your own Technical Question](#)

> GUN DIAGRAMS

[- Click here for Maintenance](#)

check out the **KINGMAN**
WEB BOARD
for more support issues

ELECTRONIC
EM1

JAVA SERIES

Java Edition EM1
Java Edition Shutter
Java Edition TL Plus
Java Edition Compact Deluxe
Java Edition Compact 2 in 1

DISCONTINUED GUNS

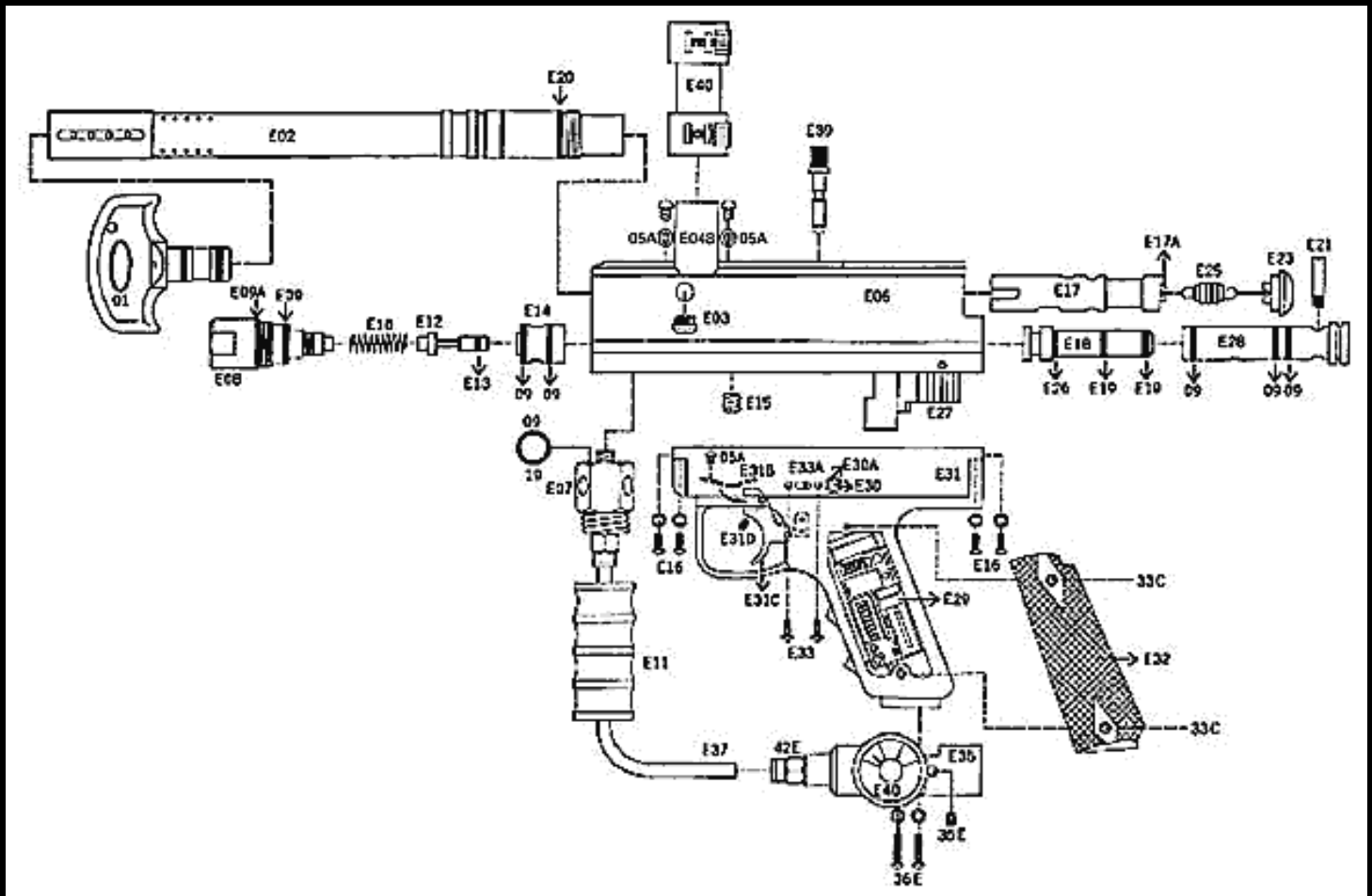
Spyder
Spyder Compact P
Spyder Compact A
Spyder Elite
Spyder Special Edition

SEMI-AUTOMATIC

Spyder Shutter
Spyder TL Plus
Compact Special Edition
Spyder TL

> Technical Support Menu

> KingmanUSA.com Home

EMI DIAGRAM

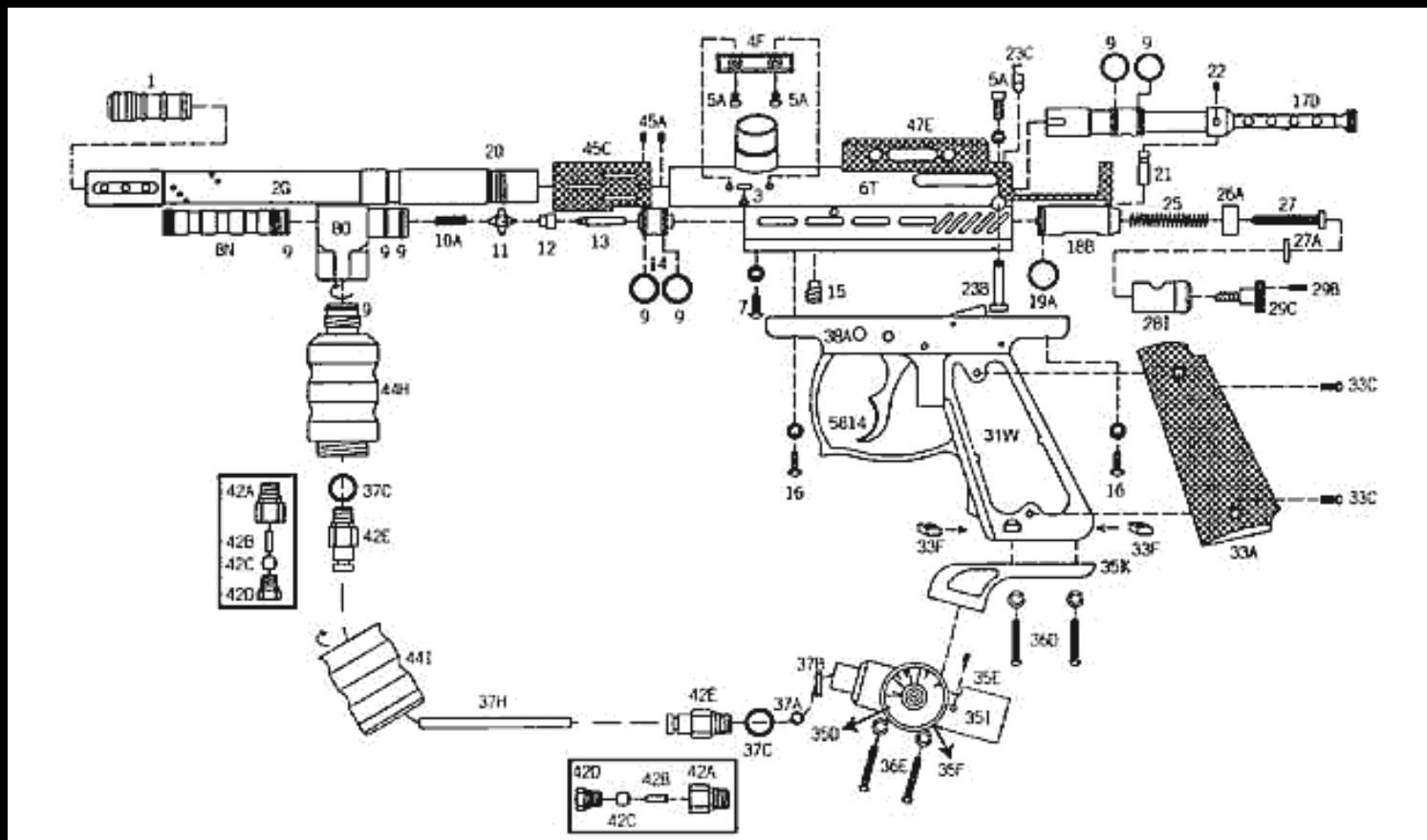
O1	Barrel Plug	E21	Pneumatic Cylinder Screw
E02	OTP Premium 12" Barrel (1 piece -aluminum)	E23	Bolt Plug
E03	Ball Stopper	E25	Venturi Bolt Spring
E04	Direct Feed (black)	E26	Hammer Buffer O-ring (#013 70D)
E04A	Direct Feed (green)	E27*	Solenoid
E04B	Direct Feed (blue)	E27A	Solenoid Screw
O5A	M4 x 6 screw w/washer (black)	E27B	Solenoid Gasket
O5B	M4 x 6 screw w/washer (silver)	E28	Pneumatic Cylinder
E06	EM1 Receiver (black)	E29	Circuit Board
E06A	EM1 Receiver (green)	E30	LED Light Indicator
E06B	EM1 Receiver (blue)	E30A	LED Light Indicator Ring
E07	Vertical Adapter	E31*	Trigger Frame (skeleton only)
E08	Secondary Regulator (black)	E31A	Solenoid Connectors
E08A	Secondary Regulator (green)	E31B	Trigger Shim
E08B	Secondary Regulator (blue)	E31C	Trigger
O9	O-ring #015 80D	E31D	Trigger Adjust Screw
E09	O-ring #16 80D	E32	Grip Cover (black)
E09A	O-ring #18 80D	E32A	Grip Cover (green)
E10	Valve Spring	E32B	Grip Cover (blue)
E11	EM1 Fore Grip (black)	33C	Grip Cover Screw (black)
E11A	EM1 Fore Grip (green)	33G	Grip Cover Screw (silver)
E11B	EM1 Fore Grip (blue)	E33	On/Off Screw (M2 x 6 Screw)
E12	Cup Seal with Valve Pin	E33A	On/Off Switch
E13	O-ring #06 70D	E34*	Battery Compartment Door (black)
E14	EM1 Valve Body	E34A*	Battery Compartment Door (silver)
E15	Valve Body Screw	35E	Regulator Adjust Screw
E16	M3.5 x 12 Screw (black)	E35	EM1 C/A Regulator (black)
E16A	M3.5 x 12 Screw (silver)	E35A	EM1 C/A Regulator (green)

E17	Venturi Bolt	E35B	EM1 C/A Regulator (blue)
E17A	Retaining Screw	36E	5/32" x 7/8" Screw w/washer
E17B	Retaining Spring	E37	EM1 Micro-Lined Hose
E17C	Retaining Bearing	E39	Knurled Cocking Knob
E18	Stainless Hammer	E40	Straight Elbow
E19	Hammer O-ring (#012 80D)	E41	EM1 Spare Parts Kit
E20	Barrel O-ring	42E	Quick Release Micro-Lined Adapter
		49	Trigger Roll Pin
		49A	Solenoid Trigger Roll Pin

Kingman International Corp

> Technical Support Menu

> KingmanUSA.com Home

SPYDER SHUTTER DIAGRAM

1	Muzzle Plug	31B*	Sear
2G	Micro-Polished, Aerospace Aluminum Barrel with Muzzle Brake	31E*	Sear Spring
3	Ball Stopper	31F*	Trigger Spring
4F	Detent Cover (silver)	31W	Deluxe Double Trigger Frame & Assembly
5A	M4 x 6 Screw	33A	45 Grip Cover
6T	Receiver (blue)	33C	Grip cover screws
6U	Receiver (red)	33F	Nut Screw
7	M4 x 14 Screw	35H	C/A Adapter with Regulator (Red)
8N	Low Pressure Chamber (Polished) SS	35I	C/A Adapter with Regulator (Blue)
8O	Vertical Adapter w/LP outlet (blue)	35D	Gauge
8P	Vertical Adapter w/LP outlet (red)	35E	Regulator Adjust Screw
9	O-ring #015 80D	35F	M4 x 5 Screw
10A	Valve Spring	35G	Drop Forward
11	Cup Seal Guide	36D	Drop Forward Grip Screw (5/32" x 5/8" screw)
12	Cup Seal	36E	5/32" x 7/8" screw with washer
13	Valve Pin	37A	Filter O-ring #009
14	Valve Body	37B	Air Filter
14A*	Valve Body Roll	37C	#011 O-ring
15	Valve Body Screw	37H	Micro-Lined Hose (rubber)
16	M5 x 12 Screw with washer	38A	Safety Button
17D	Zebra Rear-Cocking Bolt (blue)	40*	Powerfeed Plug
17E	Zebra Rear-Cocking Bolt (red)	41G*	Spare Parts Kit
18B	Striker	42A	Metric Converter Nut
19A	Striker O-ring	42B	Brass Hose Line Insert
20	Barrel O-ring	42C	Collar
21	Bolt Pin	42D	Compression Nut
22	Bolt Screw	42E	Quick Release Micro-Line Hose Adapter
23B	Quick Disconnect Pin	44H	Model S Expansion Chamber (silver)
23C	Disconnect Lock Pin	44I	Mini Fore Grip (blue)
25	Striker Spring	44J	Mini Fore Grip (red)
26A	Striker Buffer	45A	M4 x 4 Screw
27	Striker Spring Guide	45C	Shroud w/screws (silver)
27A	Flat Disk	45D	Shroud w/screws (red)
		47E	Sight Rail w/ Beaver Tail (silver)

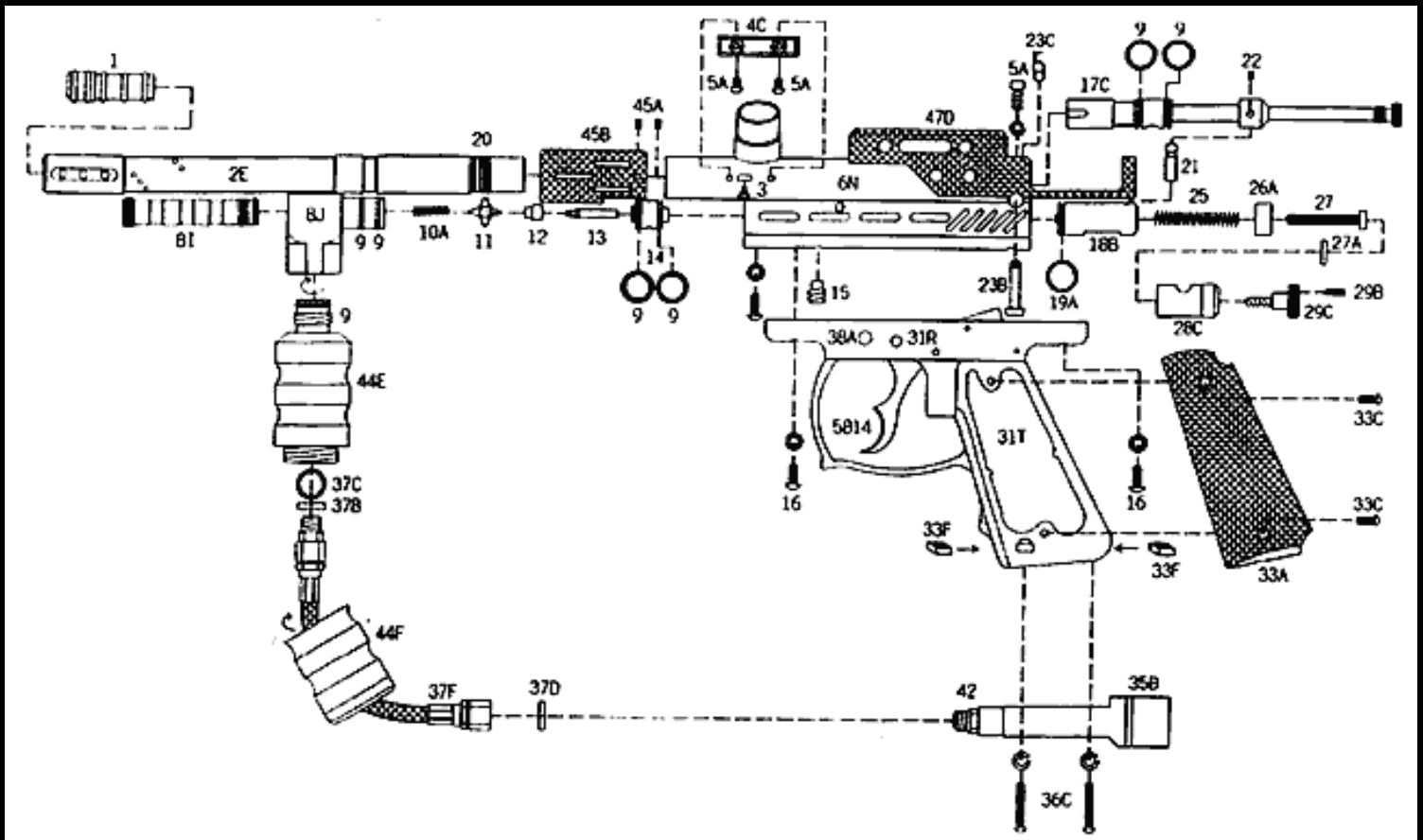
28I Striker Bolt Plug (silver)
29B Lock Screw
29C Thumb Adjuster w/ screw

48* Trigger Roll Pin
49* Sear Roll Pin
49A* Secondary Sear Roll Pin
5414 Double Trigger (slim)

Kingman International Corp

> Technical Support Menu

> KingmanUSA.com Home

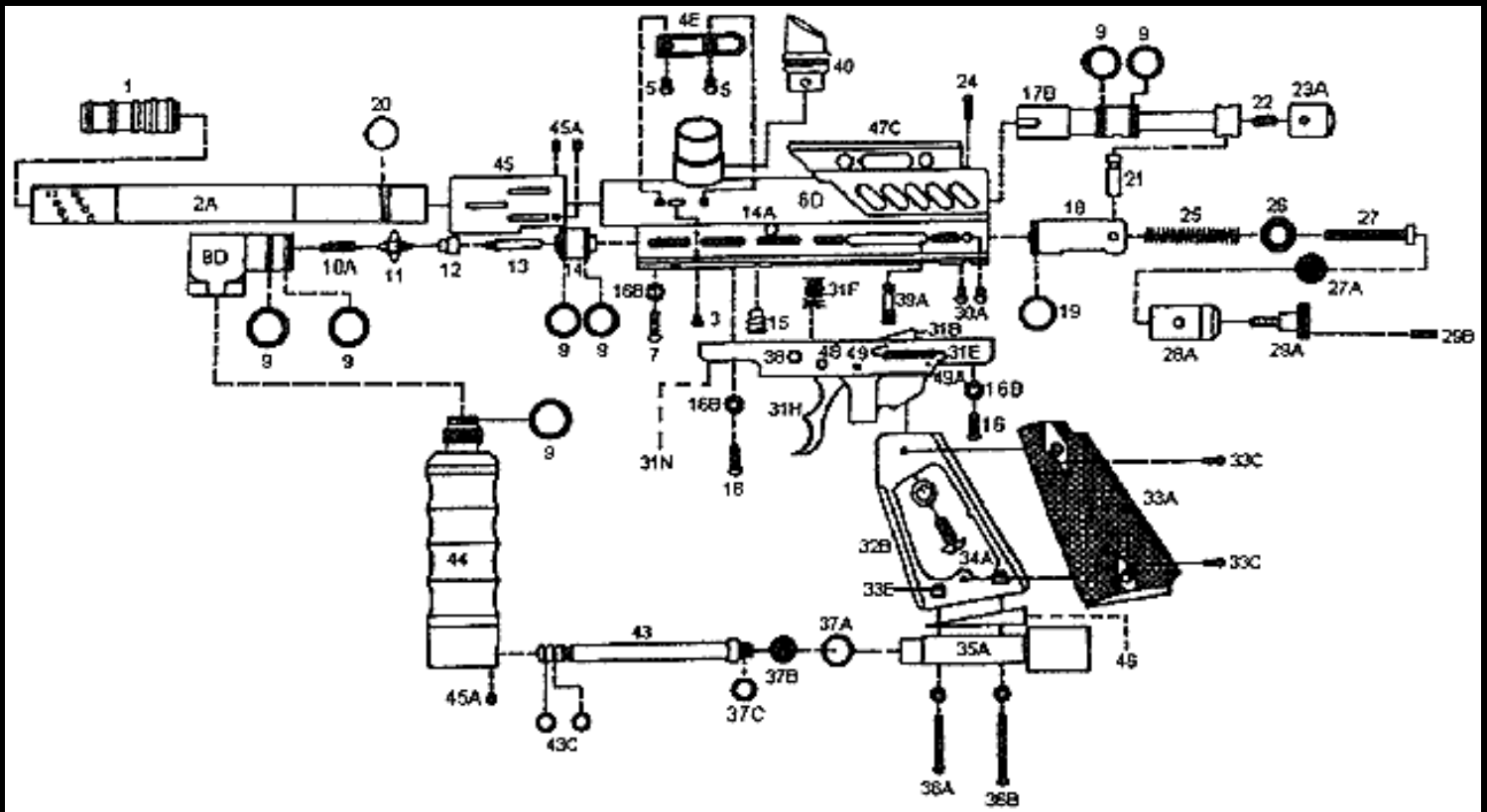
SPYDER TL PLUS DIAGRAM

- | | |
|--------------------------------|--------------------------------------|
| 1. MUZZLE PLUG | 23C. DINCONNECT PIN LOCK |
| 2E. BARREL | 25. STRIKER SPRING |
| 3. BALL STOPPER | 26A. STRIKER BUFFER |
| 4C. DETENT COVER | 27. STRIKER SPRING GUIDE |
| 5A. M4 X 6 SCREW | 27A. FLAT DISC |
| 6N. RECEIVER | 28C. T-STRIKER PLUG |
| 7. M5 X 14 SCREW W/WASHER | 29B. LOCK SCREW |
| 8I. LOW PRESSURE CHAMBER | 29C. THUMB ADJUSTER |
| 8J. VERTICAL ADAPTER | 31T. FRAME & DOUBLE TRIGGER ASSEMBLY |
| 9. O-RING #015 80D | 33A. 45 GRIP COVER |
| 10A. VALVE SPRING | 33C. 45 GRIP COVER SCREW |
| 11. CUP SEAL GUIDE | 35B. C/A ADAPTOR |
| 12. CUP SEAL | 36C. 5/32" X 7/8" SCREW W/WASHER |
| 13. VALVE PIN | 37B. FILTER |
| 14. VALVE BODY | 37C. O-RING #011 |
| 15. VALVE BODY SCREW | 37D. PLASTIC WASHER |
| 16. SCREW M5 X 12 W/WASHER | 37F. DISCONNECT HOSE |
| 17C. REAL COCKING VENTURI BOLT | 38A. SAFETY BUTTON |
| 18B. STRIKER | 42. MALE TO MALE ADAPTOR |
| 19A. STRIKER O-RING | 44E. MODEL S EXPANSION CHAMBER |
| 20. BARREL O-RING | 44F. MINI FORE GRIP |
| 21. BOLT PIN | 45A. M4 X 4 SHROUD SCREW |
| 22. BOLT SCREW | 45B. SHROUD |
| 23B. QUICK DISCONNECT PIN | 47D. DELUXE SIGHT RAIL W/BEAVER TAIL |
| | 5814. DOUBLE TRIGGER |

Kingman International Corp

> Technical Support Menu

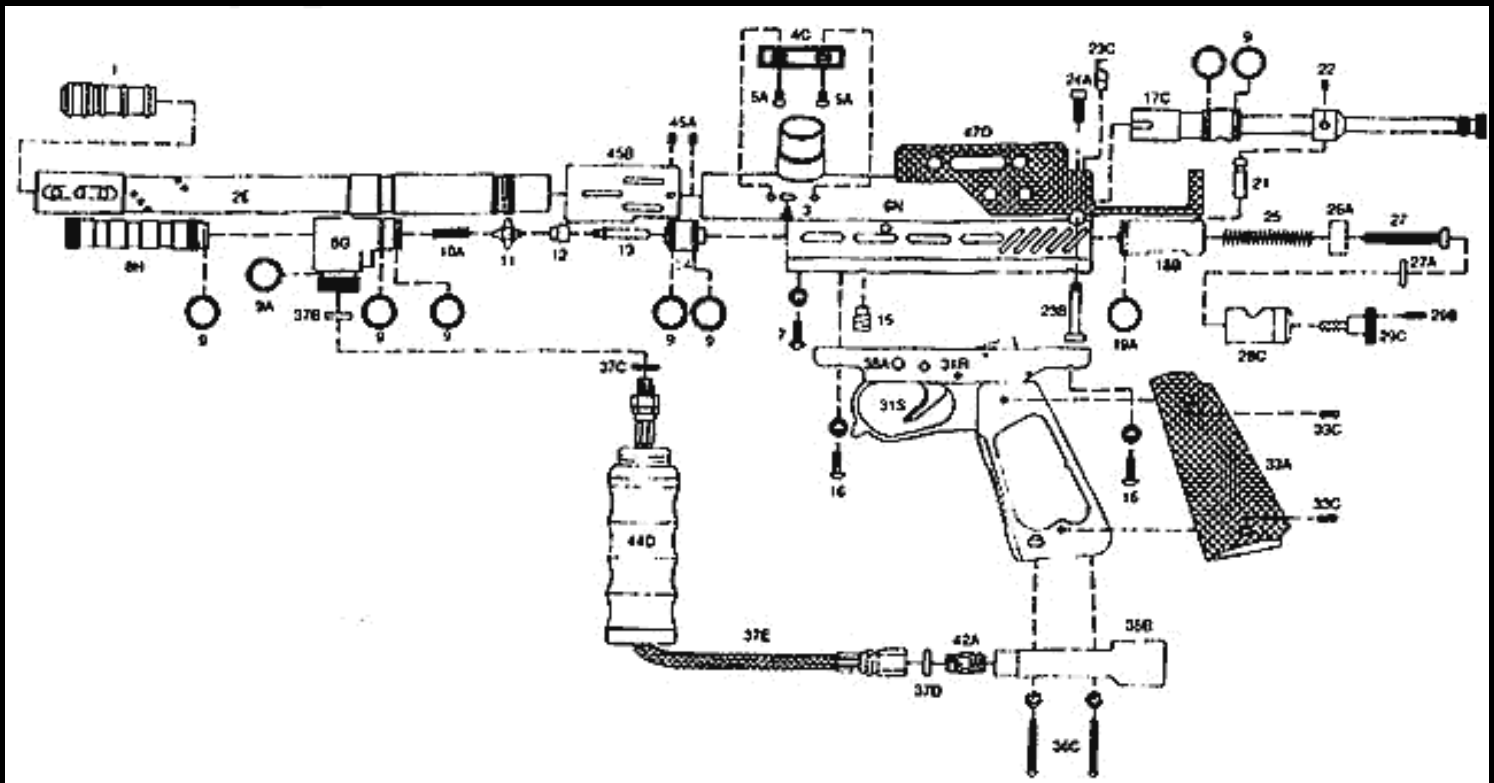
> KingmanUSA.com Home

COMPACT SPECIAL EDITION DIAGRAM

- | | | | |
|-----|---------------------------------------|-----|---|
| 1 | MUZZLE PLUG | 31B | SEAR |
| 2A | 9 1/2" MUZZLE BRAKE BARREL (S.E.) | 31E | SEAR SPRING |
| 3 | BALL STOPPER | 31F | TRIGGER SPRING |
| 4E | DETENT COVER (REGULAR) | 31H | DOUBLE TRIGGER (BLACK) |
| 5 | M4X6 SCREW (DETENT SCREW) | 31N | SPYDER/COMPACT S.E. TRIGGER FRAME W/ASSEMBLY |
| 6D | RECEIVER (S.E. COMPACT) | 32B | 45 GRIP FRAME (S.E.) |
| 7 | M5X14 SCREW W/WASHER (1 HOLE) | 33A | RUBBER GRIP COV (2) COMP/ELITE/S.E./SPY ONE (SMALL) |
| 8D | VERTICAL ADAPTER (S.E.) | 33C | GRIP COVER SCREW (COMP/ELITE/S.E./SPY ONE) SMALL |
| 9 | O-RING #015 80D | 33E | NUT SCREW INSERT FOR 45 GRIP FRAME OR RACK |
| 10A | VALVE SPRING (COMPACT & ELITE) | 34A | 1/4" X 5/8" SCREW |
| 11 | CUP SEAL GUIDE | 35A | C/A ADAPTER (S.E.) |
| 12 | CUP SEAL | 36A | 5/32" X 1" SCREW (S.E. C/A ADAPTER) |
| 13 | VALVE PIN | 36B | 5/32" X 1 1/4" SCREW (S.E. C/A ADAPTER) |
| 14 | VALVE BODY | 37A | FILTER O-RING |
| 14A | VALVE BODY ROLL PIN | 37B | AIR FILTER |
| 15 | VALVE BODY SCREW | 37C | O-RING #011 (S.E.) |
| 16 | M5X12 SCREW (TRIGGER FRAME) | 38 | SAFETY BUTTON SET(LARGE) INCL BALL BEARING & SPRING |
| 16B | FRAME SCREW WASHER | 38B | BALL BEARING & SPRING |
| 17B | TURBULENCE BOLT | 39A | STRIKER KNOB (S.E.) BLACK |
| 18 | STRIKER | 40 | POWERFEED PLUG |
| 19 | STRIKER O-RING | 41D | SPARE PARTS KIT (S.E.) |
| 20 | BARREL O-RING | 43 | DISCONNECT HOSE (S.E. COMPACT) |
| 21 | BOLT PIN | 44 | COMPACT EXPANSION CHAMBER (S.E.) |
| 22 | BOLT SCREW | 45 | SHROUD W/ SCREW |
| 23A | BOLT PLUG (S.E.) | 45A | M4X4 SCREW (SHROUD & EXP CHAMBER) |
| 24 | SIGHT RAIL SCREW | 46 | PLASTIC WEDGE |
| 25 | STRIKER SPRING | 47C | DELUXE SIGHT RAIL (S.E.) |
| 26 | STRIKER BUFFER | 48 | ROLL PIN (LARGE) |
| 27 | STRIKER SPRING GUIDE | 49 | ROLL PIN (MEDIUM) |
| 27A | FLAT DISC | 49A | ROLL PIN (SMALL) |
| 28A | STRIKER PLUG (S.E.) | 51 | ALLEN SCREW WRENCH (SMALL) |
| 29A | ADJUST SCREW W/ THUMB ADJUSTER (S.E.) | 52 | ALLEN SCREW WRENCH (MEDIUM) |
| 29B | LOCK SCREW (S.E.) | | |
| 30A | STRIKER PLUG SCREW (S.E.) | | |

> Technical Support Menu

> KingmanUSA.com Home

SPYDER TL DIAGRAM

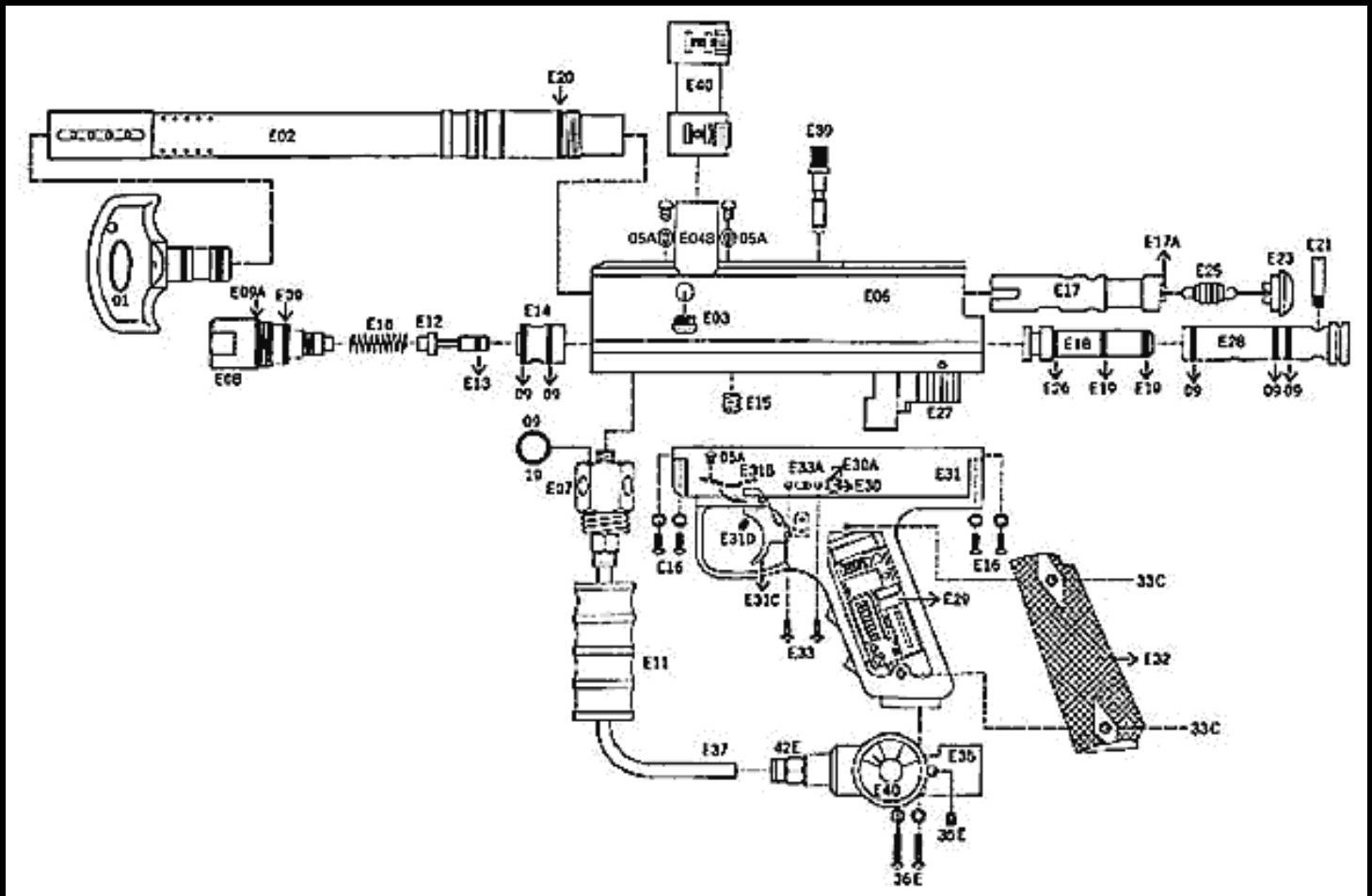
- | | |
|--------------------------------------|----------------------------------|
| 1. MUZZLE PLUG | 25. STRIKER SPRING |
| 2E. BARREL | 26A. STRIKER BUFFER |
| 3. BALL STOPPER | 27. STRIKER SPRING GUIDE |
| 4C. DETENT COVER | 28C. T-STRIKER PLUG |
| 5A. M4 X 6 SCREW | 29C. THUMB ADJUSTER |
| 6N. RECEIVER | 29B. LOCK SCREW |
| 7. M5 X 14 SCREW WITH WASHER | 31R. FRAME & TRIGGER ASSEMBLY |
| 8G. TL VERTICAL ADAPTER | 42A. MALE TO MALE ADAPTER |
| 9. O-RING #015 80D | 33A. 45 GRIP COVER |
| 10A. VALVE SPRING | 37D. PLASTIC WASHER |
| 11. CUP SEAL GUIDE | 27A. FLAT DISC |
| 12. CUP SEAL | 33C. 45 GRIP COVER SCREW |
| 13. VALVE PIN | 35B. C/A ADAPTER |
| 14. VALVE BODY | 36C. 5/32" X 7/8" SCREW W/WASHER |
| 15. VALVE BODY SCREW | 38A. SAFETY BUTTON |
| 16. SCREW M5 X 12 WITH WASHER | 31S. TRIGGER |
| 17C. REAR COCKING VENTURI BOLT | 37B. FILTER |
| 18B. STRIKER | 8H. LOW PRESSURE CHAMBER |
| 19A. STRIKER O-RING | 37E. DISCONNECT HOSE |
| 47D. DELUXE SIGHT RAIL W/BEAVER TAIL | 45A. M4 X 4 SHROUD SCREW |
| 21. BOLT PIN | 45B. SHROUD |
| 22. BOLT SCREW | 37C. O-RING #011 |
| 23B. QUICK DISCONNECT PIN | 44D. FORE GRIP |
| 23C. DISCONNECT PIN LOCK | 9A. O-RING #018 |
| 24A. M4 X 6 SCREW | |

Kingman International Corp

> Technical Support Menu

> KingmanUSA.com Home

JAVA EDITION EMI DIAGRAM



O1	Barrel Plug	E21	Pneumatic Cylinder Screw
E02	OTP Premium 12" Barrel (1 piece -aluminum)	E23	Bolt Plug
E03	Ball Stopper	E25	Venturi Bolt Spring
E04	Direct Feed (black)	E26	Hammer Buffer O-ring (#013 70D)
E04A	Direct Feed (green)	E27*	Solenoid
E04B	Direct Feed (blue)	E27A	Solenoid Screw
O5A	M4 x 6 screw w/washer (black)	E27B	Solenoid Gasket
O5B	M4 x 6 screw w/washer (silver)	E28	Pneumatic Cylinder
E06	EM1 Receiver (black)	E29	Circuit Board
E06A	EM1 Receiver (green)	E30	LED Light Indicator
E06B	EM1 Receiver (blue)	E30A	LED Light Indicator Ring
E07	Vertical Adapter	E31*	Trigger Frame (skeleton only)
E08	Secondary Regulator (black)	E31A	Solenoid Connectors
E08A	Secondary Regulator (green)	E31B	Trigger Shim
E08B	Secondary Regulator (blue)	E31C	Trigger
O9	O-ring #015 80D	E31D	Trigger Adjust Screw
E09	O-ring #16 80D	E32	Grip Cover (black)
E09A	O-ring #18 80D	E32A	Grip Cover (green)
E10	Valve Spring	E32B	Grip Cover (blue)
E11	EM1 Fore Grip (black)	33C	Grip Cover Screw (black)
E11A	EM1 Fore Grip (green)	33G	Grip Cover Screw (silver)
E11B	EM1 Fore Grip (blue)	E33	On/Off Screw (M2 x 6 Screw)
E12	Cup Seal with Valve Pin	E33A	On/Off Switch
E13	O-ring #06 70D	E34*	Battery Compartment Door (black)
E14	EM1 Valve Body	E34A*	Battery Compartment Door (silver)
E15	Valve Body Screw	35E	Regulator Adjust Screw
E16	M3.5 x 12 Screw (black)	E35	EM1 C/A Regulator (black)
E16A	M3.5 x 12 Screw (silver)	E35A	EM1 C/A Regulator (green)

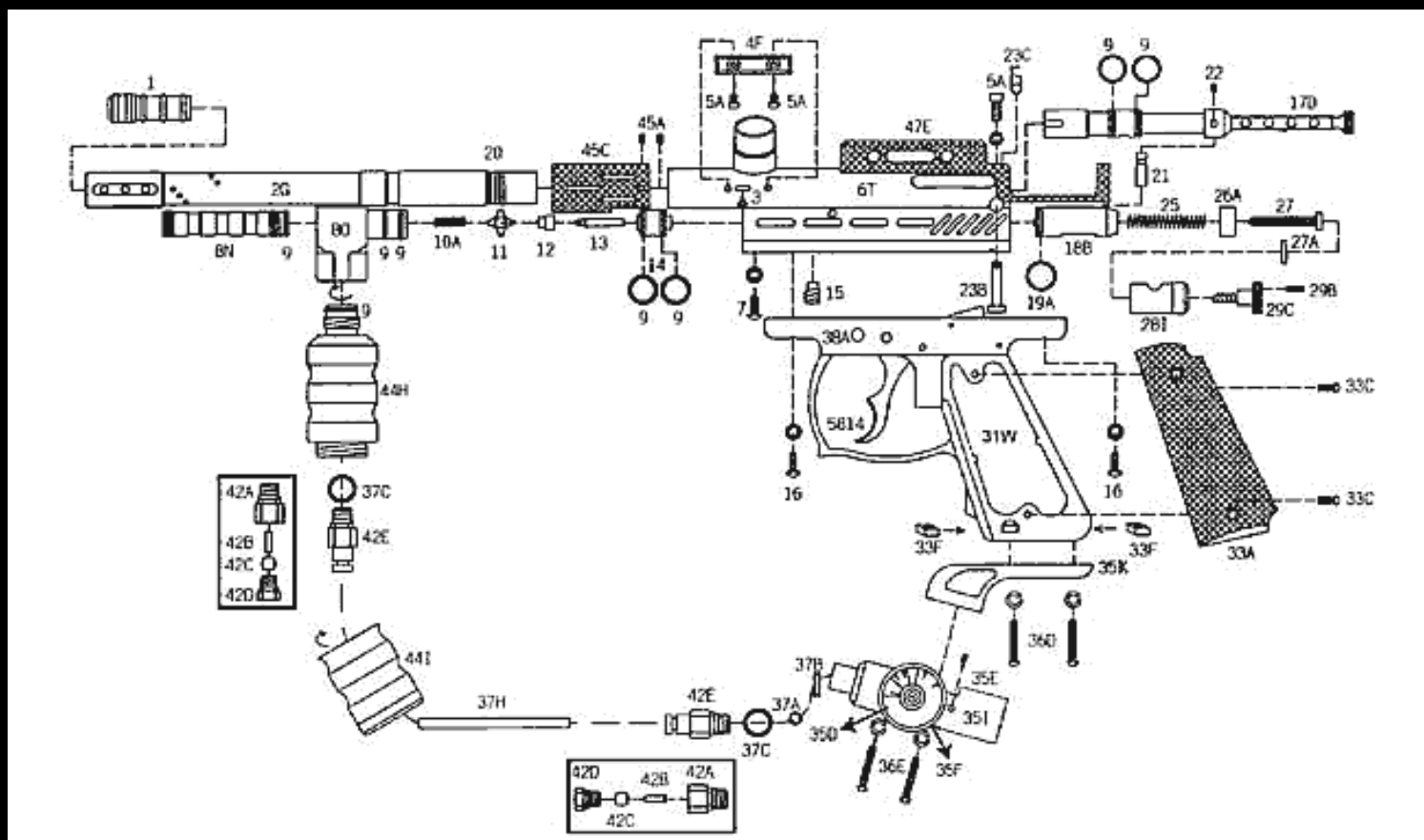
E17	Venturi Bolt	E35B	EM1 C/A Regulator (blue)
E17A	Retaining Screw	36E	5/32" x 7/8" Screw w/washer
E17B	Retaining Spring	E37	EM1 Micro-Lined Hose
E17C	Retaining Bearing	E39	Knurled Cocking Knob
E18	Stainless Hammer	E40	Straight Elbow
E19	Hammer O-ring (#012 80D)	E41	EM1 Spare Parts Kit
E20	Barrel O-ring	42E	Quick Release Micro-Lined Adapter
		49	Trigger Roll Pin
		49A	Solenoid Trigger Roll Pin

Kingman International Corp

> Technical Support Menu

> KingmanUSA.com Home

JAVA EDITION SHUTTER DIAGRAM



1	Muzzle Plug	31B*	Sear
2G	Micro-Polished, Aerospace Aluminum Barrel with Muzzle Brake	31E*	Sear Spring
3	Ball Stopper	31F*	Trigger Spring
4F	Detent Cover (silver)	31W	Deluxe Double Trigger Frame & Assembly
5A	M4 x 6 Screw	33A	45 Grip Cover
6T	Receiver (blue)	33C	Grip cover screws
6U	Receiver (red)	33F	Nut Screw
7	M4 x 14 Screw	35H	C/A Adapter with Regulator (Red)
8N	Low Pressure Chamber (Polished) SS	35I	C/A Adapter with Regulator (Blue)
8O	Vertical Adapter w/LP outlet (blue)	35D	Gauge
8P	Vertical Adapter w/LP outlet (red)	35E	Regulator Adjust Screw
9	O-ring #015 80D	35F	M4 x 5 Screw
10A	Valve Spring	35G	Drop Forward
11	Cup Seal Guide	36D	Drop Forward Grip Screw (5/32" x 5/8" screw)
12	Cup Seal	36E	5/32" x 7/8" screw with washer
13	Valve Pin	37A	Filter O-ring #009
14	Valve Body	37B	Air Filter
14A*	Valve Body Roll	37C	#011 O-ring
15	Valve Body Screw	37H	Micro-Lined Hose (rubber)
16	M5 x 12 Screw with washer	38A	Safety Button
17D	Zebra Rear-Cocking Bolt (blue)	40*	Powerfeed Plug
17E	Zebra Rear-Cocking Bolt (red)	41G*	Spare Parts Kit
18B	Striker	42A	Metric Converter Nut
19A	Striker O-ring	42B	Brass Hose Line Insert
20	Barrel O-ring	42C	Collar
21	Bolt Pin	42D	Compression Nut
22	Bolt Screw	42E	Quick Release Micro-Line Hose Adapter
23B	Quick Disconnect Pin	44H	Model S Expansion Chamber (silver)
23C	Disconnect Lock Pin	44I	Mini Fore Grip (blue)
25	Striker Spring	44J	Mini Fore Grip (red)
26A	Striker Buffer	45A	M4 x 4 Screw
27	Striker Spring Guide	45C	Shroud w/screws (silver)
27A	Flat Disk	45D	Shroud w/screws (red)
		47E	Sight Rail w/ Beaver Tail (silver)

28I Striker Bolt Plug (silver)
29B Lock Screw
29C Thumb Adjuster w/ screw

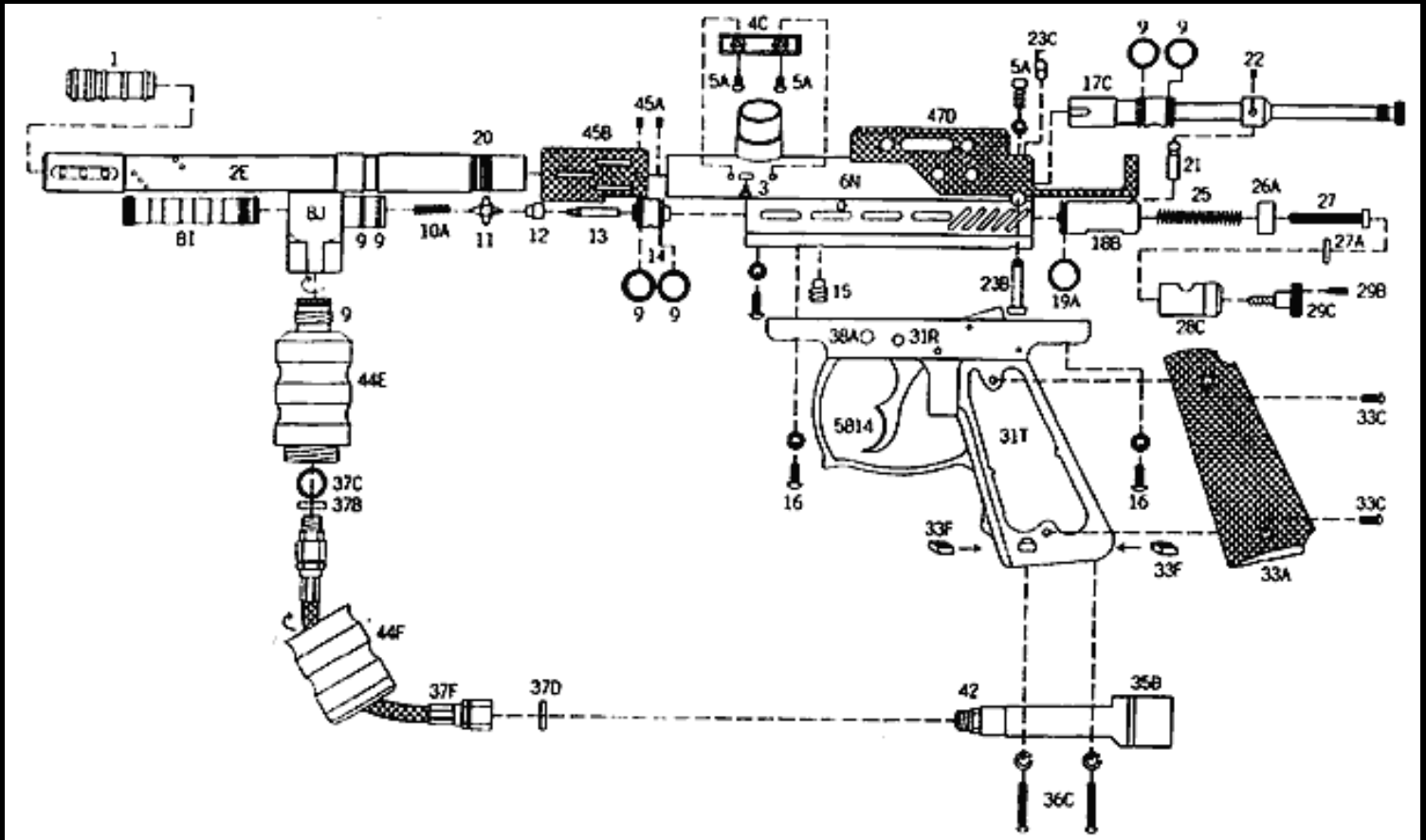
48* Trigger Roll Pin
49* Sear Roll Pin
49A* Secondary Sear Roll Pin
5414 Double Trigger (slim)

Kingman International Corp

> Technical Support Menu

> KingmanUSA.com Home

JAVA EDITION TL PLUS DIAGRAM

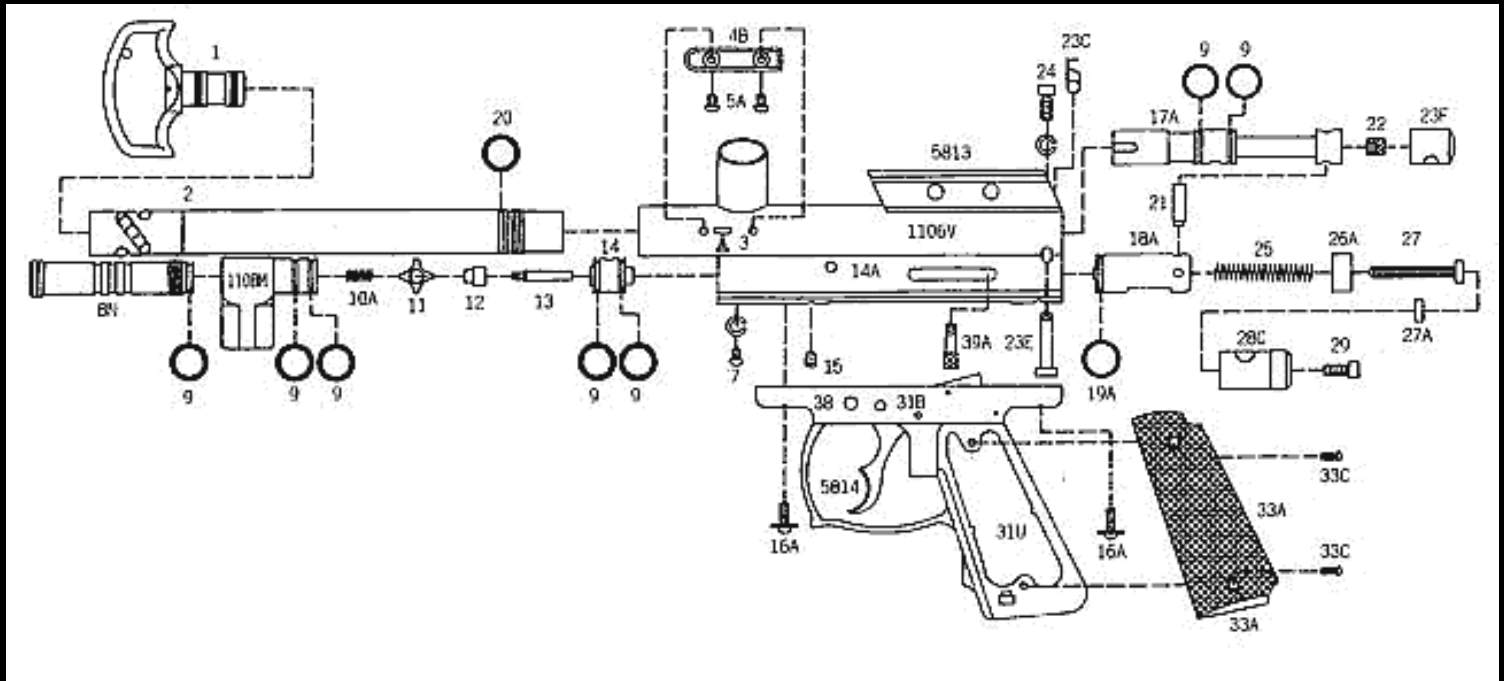


- | | |
|--------------------------------|--------------------------------------|
| 1. MUZZLE PLUG | 23C. DINCONNECT PIN LOCK |
| 2E. BARREL | 25. STRIKER SPRING |
| 3. BALL STOPPER | 26A. STRIKER BUFFER |
| 4C. DETENT COVER | 27. STRIKER SPRING GUIDE |
| 5A. M4 X 6 SCREW | 27A. FLAT DISC |
| 6N. RECEIVER | 28C. T-STRIKER PLUG |
| 7. M5 X 14 SCREW W/WASHER | 29B. LOCK SCREW |
| 8I. LOW PRESSURE CHAMBER | 29C. THUMB ADJUSTER |
| 8J. VERTICAL ADAPTER | 31T. FRAME & DOUBLE TRIGGER ASSEMBLY |
| 9. O-RING #015 80D | 33A. 45 GRIP COVER |
| 10A. VALVE SPRING | 33C. 45 GRIP COVER SCREW |
| 11. CUP SEAL GUIDE | 35B. C/A ADAPTOR |
| 12. CUP SEAL | 36C. 5/32" X 7/8" SCREW W/WASHER |
| 13. VALVE PIN | 37B. FILTER |
| 14. VALVE BODY | 37C. O-RING #011 |
| 15. VALVE BODY SCREW | 37D. PLASTIC WASHER |
| 16. SCREW M5 X 12 W/WASHER | 37F. DISCONNECT HOSE |
| 17C. REAL COCKING VENTURI BOLT | 38A. SAFETY BUTTON |
| 18B. STRIKER | 42. MALE TO MALE ADAPTOR |
| 19A. STRIKER O-RING | 44E. MODEL S EXPANSION CHAMBER |
| 20. BARREL O-RING | 44F. MINI FORE GRIP |
| 21. BOLT PIN | 45A. M4 X 4 SHROUD SCREW |
| 22. BOLT SCREW | 45B. SHROUD |
| 23B. QUICK DISCONNECT PIN | 47D. DELUXE SIGHT RAIL W/BEAVER TAIL |
| | 5814. DOUBLE TRIGGER |

Kingman International Corp

> Technical Support Menu

> KingmanUSA.com Home

JAVA EDITION COMPACT DELUXE DIAGRAM

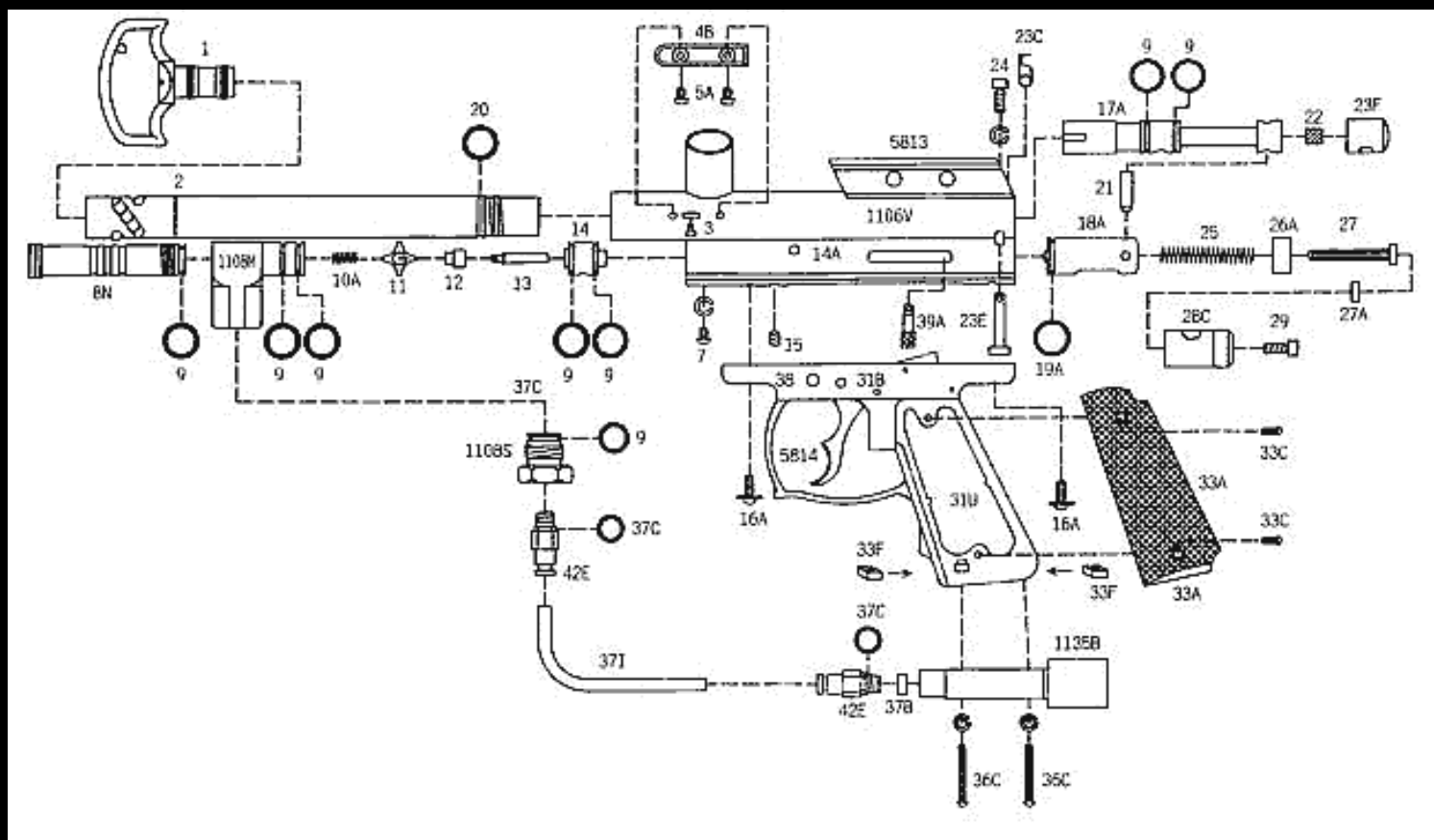
1	Muzzle Plug	23E	Quick Disconnect Pin Lock
2	Barrel	23F	Bolt Plug
3	Ball Stopper	24	Screw M4 x 8
4B	Detent Cover	25	Striker Spring Guide
5A	M4 x 6 Screw	26A	Striker Buffer
1106V	Receiver	27	Striker Spring Guide
7	M5 x 14 Screw with Washer	27A	Flat Disc
8N	Low Pressure Chamber	28C	Striker Plug
1108M	Vertical Adapter	29	Adjuster Screw
9	O-ring #015 80D	31B*	Sear
10A	Valve Spring	31E*	Sear Spring
11	Cup Seal Guide	31F*	Trigger Spring
12	Cup Seal	31U	Frame & Double Trigger Assembly
13	Valve Pin	33A	45 Grip Cover
14	Valve Body	33C	45 Grip Cover Screw
14A	Valve Body Roll Pin	38	Safety Button
15	Valve Body Screw	39A	Striker Knob
16A	M5 x 12.5 Screw	40*	Powerfeed Plug
17A	Venturi Bolt	41A*	Compact 2000 Spare Parts Kit
18A	Striker	48*	Trigger Roll Pin
19A	Striker O-ring	49*	Sear Roll Pin
20	Barrel O-ring	49A*	Secondary Sear Roll Pin
21	Bolt Pin	5813	Raised Mini Sight Rail
22	Bolt Screw	5814	Double Trigger
23C	Disconnect Pin Lock		

Kingman International Corp

> Technical Support Menu

> KingmanUSA.com Home

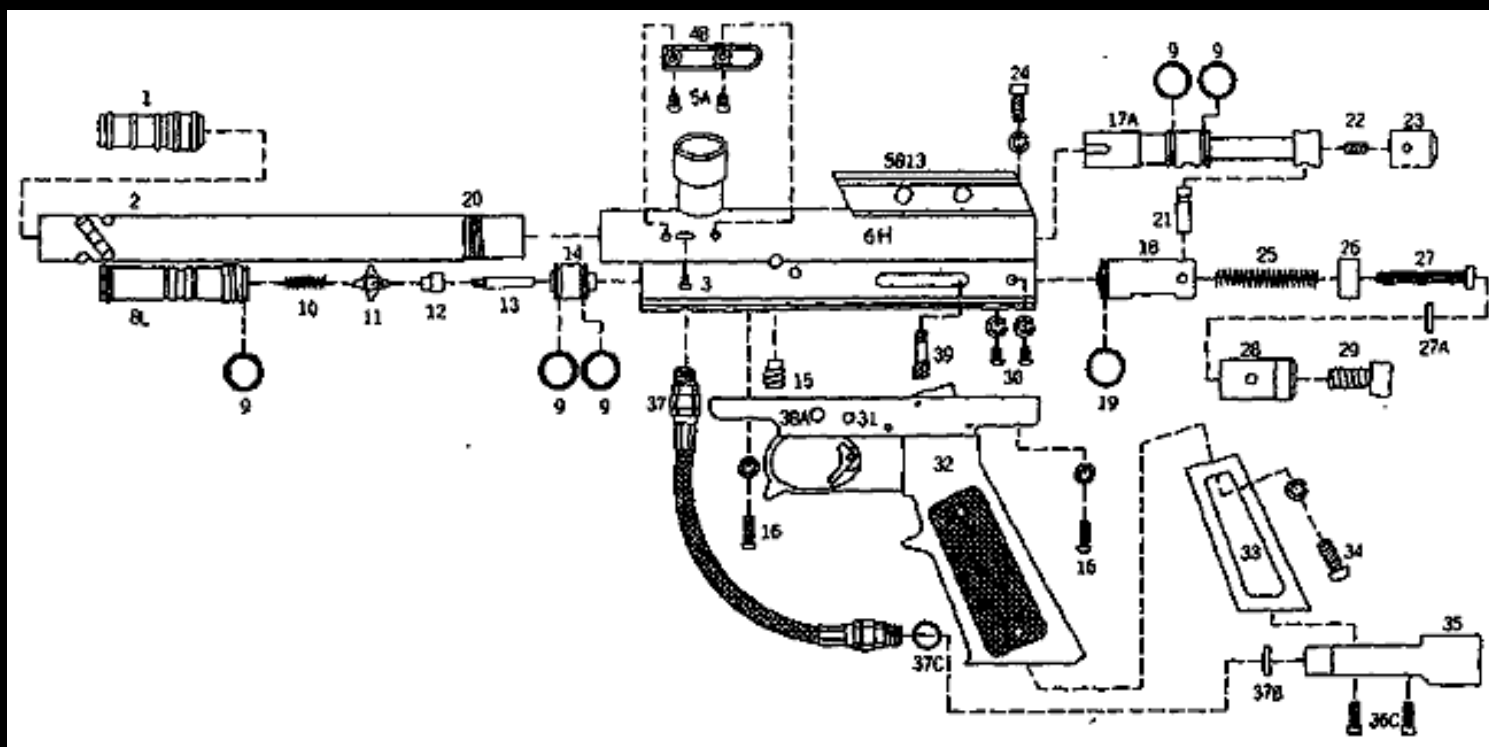
JAVA EDITION COMPACT 2 IN 1 DIAGRAM



1	Muzzle Plug	24	Screw M4 x 12
2	Barrel	25	Striker Spring Guide
3	Ball Stopper	26A	Striker Buffer
4B	Detent Cover	27	Striker Spring Guide
5A	M4 x 6 Screw	27A	Flat Disc
1106V	Receiver	28C	Striker Plug
7	M5 x 14 Screw with Washer	29	Adjuster Screw
8N	Low Pressure Chamber	31B*	Sear
1108M	Vertical Adapter	31E*	Sear Spring
1108S	ASA Adapter	31F*	Trigger Spring
9	O-ring #015 80D	31Y	Frame & Double Trigger Assembly
10A	Valve Spring	33A	45 Grip Cover
11	Cup Seal Guide	33C	45 Grip Cover Screw
12	Cup Seal	33F	Nut Screw
13	Valve Pin	1135B	C/A Adapter
14	Valve Body	36C	5/32 x 7/8 Screw
14A	Valve Body Roll Pin	37B	Air Filter
15	Valve Body Screw	37C	Disconnect O-Ring (#011)
16A	M5 x 12.5 Screw	37I	Micro-Lined Hose
17A	Venturi Bolt	38	Safety Button
18A	Striker	39A	Striker Knob
19A	Striker O-ring	40*	Powerfeed Plug
20	Barrel O-ring	41A*	Compact Spare Parts Kit
21	Bolt Pin	42E	Quick Release Adapter
22	Bolt Screw	48*	Trigger Roll Pin
23C	Disconnect Pin Lock	49*	Sear Roll Pin
23E	Quick Disconnect Pin Lock	49A*	Secondary Sear Roll Pin
23F	Bolt Plug	5813	Raised Mini Sight Rail
		5814	Double Trigger

> Technical Support Menu

> KingmanUSA.com Home

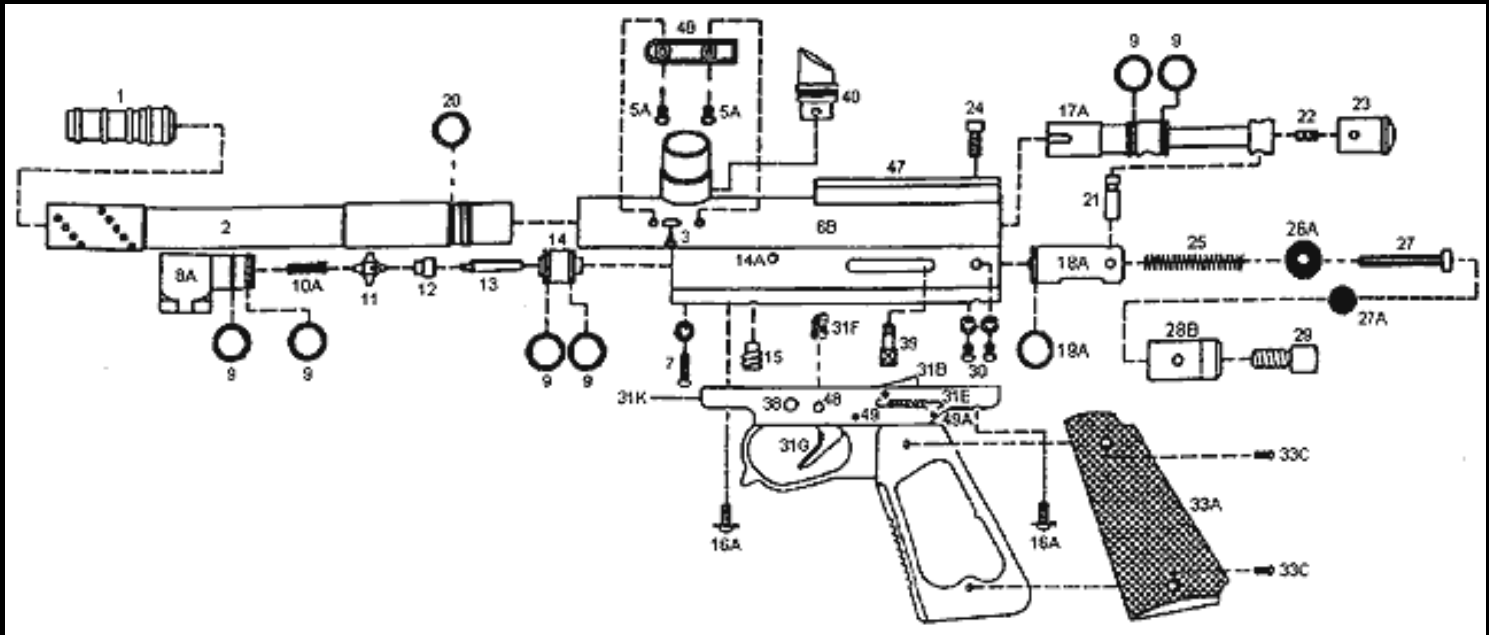
SPYDER DIAGRAM

- | | | | |
|-----|---------------------------|------|--------------------------------|
| 1 | MUZZLE PLUG | 23 | BOLT PLUG |
| 2 | BARREL | 24 | SCREW M4 X 12 |
| 3 | BALL STOPPER | 25 | STRIKER SPRING |
| 4B | DETENT COVER | 26 | STRIKER BUFFER |
| 5A | M4 X 6 SCREW | 27 | STRIKER SPRING GUIDE |
| 6H | RECEIVER | 27A | FLAT DISC |
| 8L | LOW PRESSURE CHAMBER | 28 | STRIKER PLUG |
| 9 | O-RING #015 80D | 29 | ADJUSTER SCREW |
| 10 | VALVE SPRING | 30 | STRIKER PLUG SCREW |
| 11 | CUP SEAL GUIDE | 31 | FRAME & TRIGGER ASSEMBLY |
| 12 | CUP SEAL | 32 | M16 GRIP |
| 13 | VALVE PIN | 33 | RACK |
| 14 | VALVE BODY | 34 | SCREW 1/4" X 1" WITH WASHER |
| 15 | VALVE BODY SCREW | 35 | C/A ADAPTER |
| 16 | SCREW M5 X 12 WITH WASHER | 36C | SCREW 5/32" X 7/8" WITH WASHER |
| 17A | VENTURI BOLT | 37 | DISCONNECT HOSE |
| 18 | STRIKER | 37B | FILTER |
| 19 | STRIKER O-RING | 37C | #011 O-RING |
| 20 | BARREL O-RING | 38A | SAFETY BUTTON |
| 21 | BOLT PIN | 39 | STRIKER KNOB |
| 22 | BOLT SCREW | 5813 | RAISED MINI SIGHT RAIL |

Kingman International Corp

> Technical Support Menu

> KingmanUSA.com Home

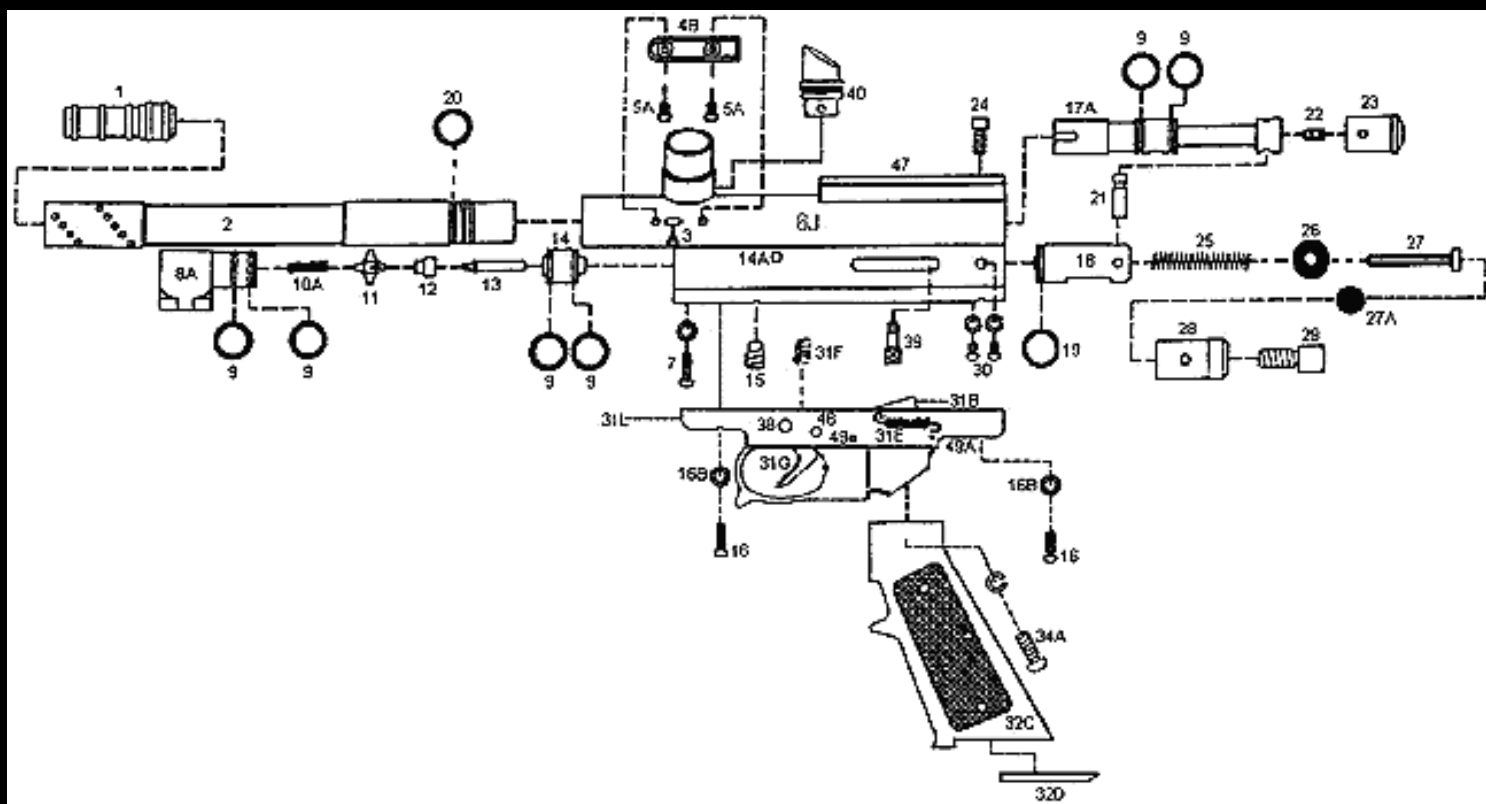
SPYDER COMPACT P DIAGRAM

- | | |
|---|---------------------------------------|
| 1 MUZZLE PLUG | 27 STRIKER SPRING GUIDE |
| 2 9 1/2" MUZZLE BRAKE BARREL | 27A FLAT DISC |
| 3 BALL STOPPER | 28B STRIKER PLUG |
| 4B DETENT COVER | 29 ADJUSTER SCREW |
| 5A M4 X 6 SCREW | 30 M5X8 SCREW WITH WASHER |
| 6B RECEIVER (SILVER) | 31B SEAR |
| 6C RECEIVER (BLACK) | 31E SEAR SPRING |
| 7 M5 X 14 SCREW WITH WASHER | 31F TRIGGER SPRING |
| 8A VERTICAL ADAPTER (ONE HOLE) | 31G TRIGGER (ONE PIECE) |
| 9 O-RING #015 80D | 31K COMPACT-P TRIGGER FRAME W/45 GRIP |
| 10A VALVE SPRING | 33A 45 GRIP COVER |
| 11 CUP SEAL GUIDE | 33C 45 GRIP COVER SCREW |
| 12 CUP SEAL | 38 SAFETY BUTTON |
| 13 VALVE PIN | 38B BALL BEARING & SPRING |
| 14 VALVE BODY | 39 STRIKER KNOB |
| 14A VALVE BODY ROLL PIN | 40 POWERFEED PLUG |
| 15 VALVE BODY SCREW | 41 SPARE PARTS KIT (SPYDER) |
| 16A SCREW M5 X 12 WITH WASHER (TRIGGER FRAME) | 47 SIGHT RAIL |
| 17A SECOND GENERATION VENTURI BOLT | 48 ROLL PIN (LARGE) |
| 18A STRIKER | 49 ROLL PIN (MEDIUM) |
| 19A STRIKER O-RING | 49A ROLL PIN (SMALL) |
| 20 BARREL O-RING | 50 AMMO BOX (45 RD) |
| 21 BOLT PIN | 52 ALLEN SCREW WRENCH (MEDIUM) |
| 22 BOLT SCREW | 53 ALLEN SCREW WRENCH (LARGE) |
| 23 BOLT PLUG | 54 ELBOW 7/8" W/HOLE CLAMPS |
| 24 SCREW M4X12 | |
| 25 STRIKER SPRING GUIDE | |
| 26A STRIKER BUFFER | |

Kingman International Corp

> Technical Support Menu

> KingmanUSA.com Home

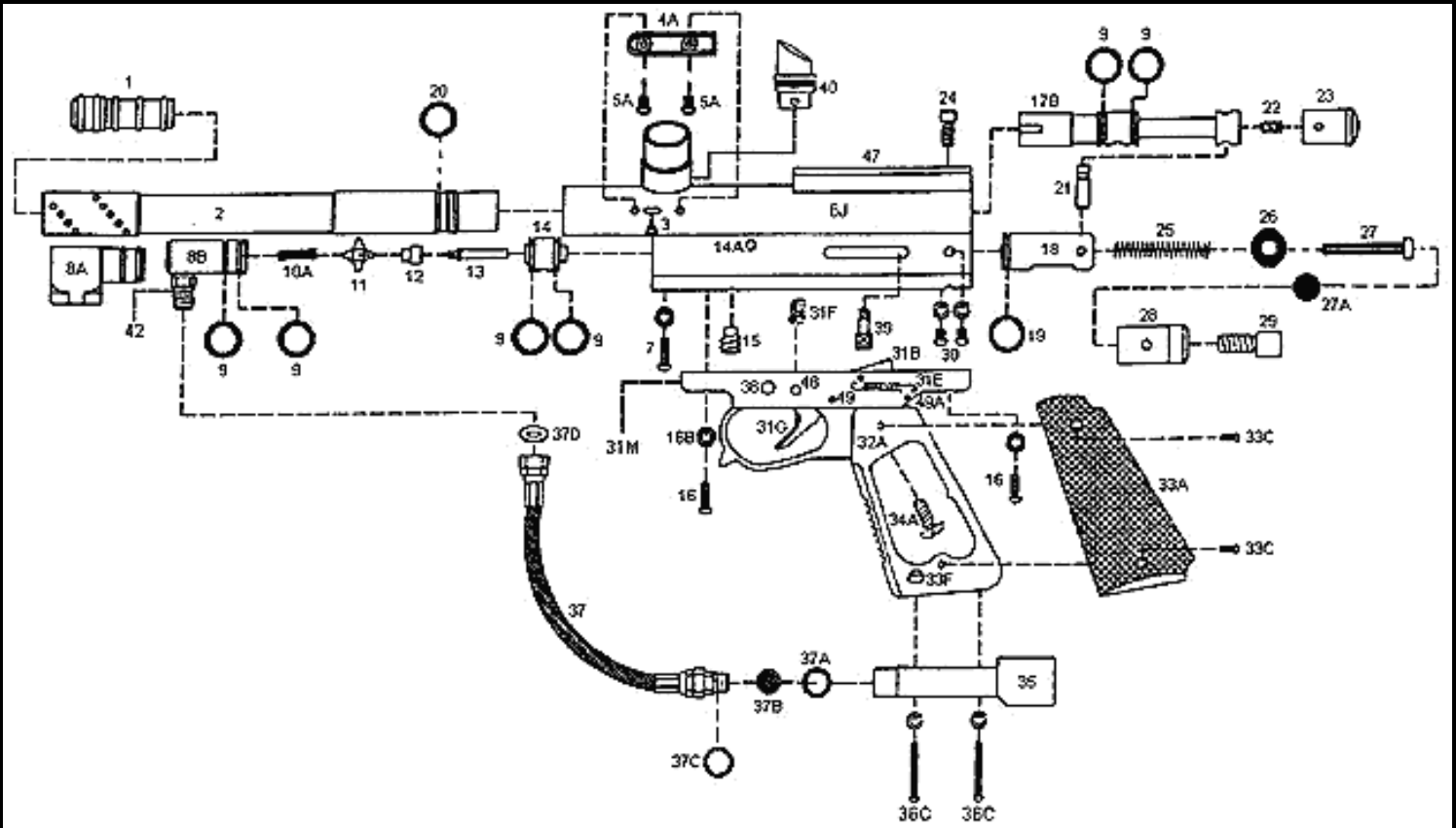
SPYDER COMPACT A DIAGRAM

- | | | | |
|-----|---|-----|--|
| 1 | MUZZLE PLUG | 26 | STRIKER BUFFER |
| 2 | 9 1/2" MUZZLE BRAKE BARREL | 27 | STRIKER SPRING GUIDE |
| 3 | BALL STOPPER | 27A | FLAT DISC |
| 4 | DETENT COVER (PLASTIC) REG. | 28 | STRIKER PLUG |
| 5A | M4X6 SCREW (DETENT SCREW) (BH) | 29 | ADJUST SCREW |
| 6J | RECEIVER (COMPACT-A & ELITE) SILVER | 30 | M5X8 SCREW (STRIKER PLUG) |
| 7 | M5X14 SCREW W/WASHER (1 HOLE) / COMP-P TRIG FRAME | 31B | SEAR |
| 8A | VERTICAL ADAPTER (ONE HOLE) | 31E | SEAR SPRING |
| 9 | O-RING #015 80D | 31F | TRIGGER SPRING |
| 10A | VALVE SPRING (COMPACT & ELITE) | 31G | TRIGGER (ONE PIECE) |
| 11 | CUP SEAL GUIDE | 31L | COMPACT-A TRIGGER FRAME W/ASSEMBLY |
| 12 | CUP SEAL | 32C | M-16 GRIP |
| 13 | VALVE PIN | 32D | M-16 TRAP DOOR COVER |
| 14 | VALVE BODY | 34A | 1/4" X 5/8" SCREW |
| 14A | VALVE BODY ROLL PIN | 38 | SAFETY BUTTON SET(LARGE) INCL. BALL BEARING & SPRING |
| 15 | VALVE BODY SCREW | 38B | BALL BEARING & SPRING |
| 16 | M5X12 SCREW (TRIGGER FRAME) | 39 | STRIKER KNOB |
| 16B | FRAME SCREW WASHER | 40 | POWERFEED PLUG |
| 17A | SECOND GENERATION BOLT WITH VENTURI | 41 | SPARE PARTS KIT (SPYDER) |
| 18 | STRIKER | 47 | SIGHT RAIL (BLACK) |
| 19 | STRIKER O-RING | 48 | ROLL PIN (LARGE) |
| 20 | BARREL O-RING | 49 | ROLL PIN (MEDIUM) |
| 21 | BOLT PIN | 49A | ROLL PIN (SMALL) |
| 22 | BOLT SCREW | 50 | AMMO BOX (45 RD) |
| 23 | BOLT PLUG | 52 | ALLEN SCREW WRENCH (MEDIUM) |
| 24 | SIGHT RAIL SCREW | 53 | ALLEN SCREW WRENCH (LARGE) |
| 25 | STRIKER SPRING | 54 | ELBOW 7/8" W/HOSE CLAMPS |

Kingman International Corp

> Technical Support Menu

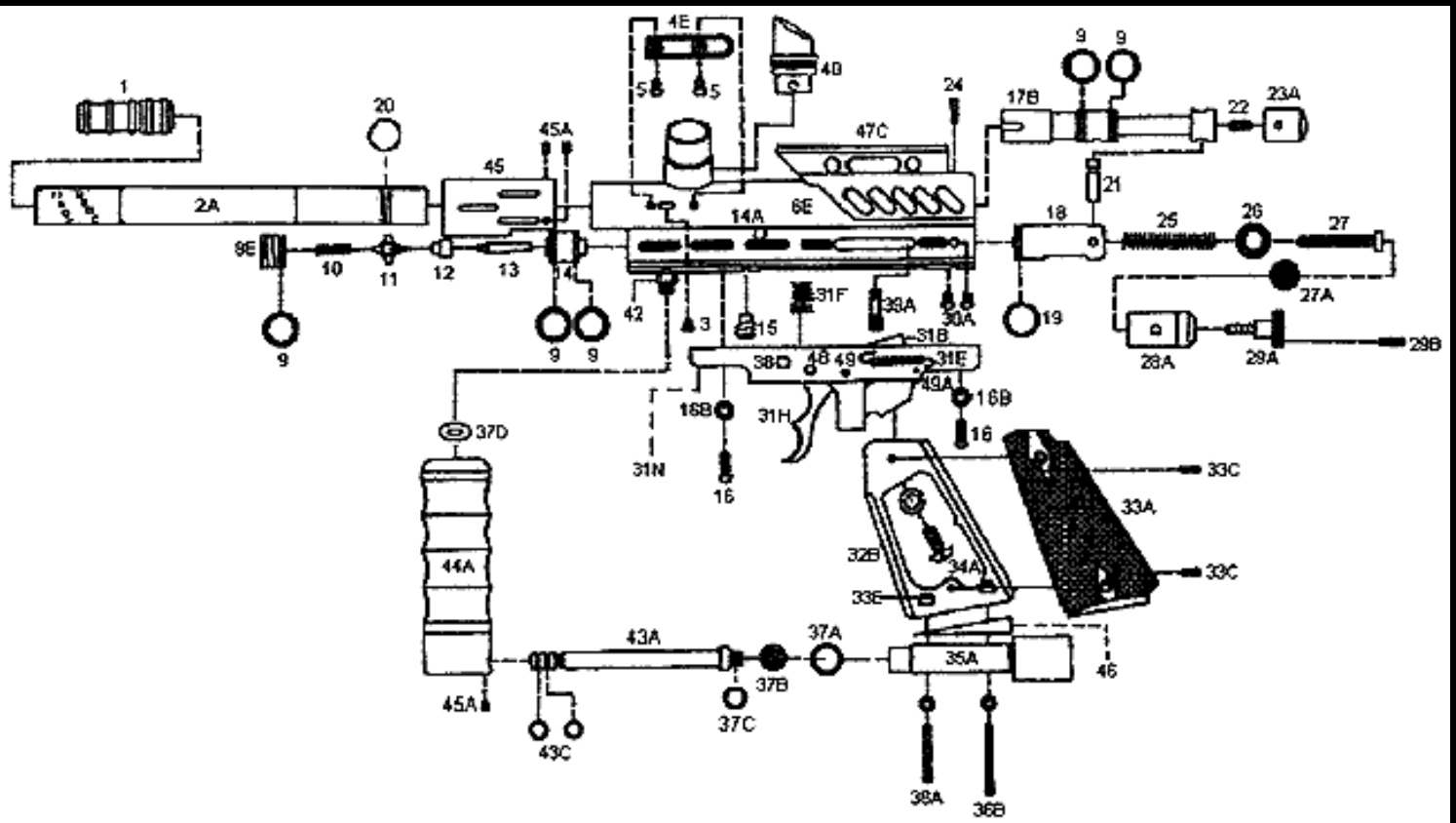
> KingmanUSA.com Home

SPYDER ELITE DIAGRAM

- | | | | |
|-----|--|-------|---|
| 1 | MUZZLE PLUG | 30 | M5X8 SCREW (STRIKER PLUG) |
| 2 | 9 1/2" MUZZLE BRAKE BARREL | 31B | SEAR |
| 4A | DETENT COVER (METAL) REG. | 31E | SEAR SPRING |
| 5 | M4X6 SCREW (DETENT SCREW) | 31F | TRIGGER SPRING |
| 6J | RECEIVER (COMPACT-A & ELITE) SILVER | 31G | TRIGGER (ONE PIECE) |
| 7 | M5X14 SCREW W/WASHER (1 HOLE) / COMP-P TRIGGER FRAME | 31M | ELITE TRIGGER FRAME W/ASSEMBLY |
| 8A | VERTICAL ADAPTER (ONE HOLE) | 32A | 45 GRIP FRAME (ELITE) |
| 8B | RESERVOIR PLUG W/ MALE TO MALE ADAPTER | 33A | RUBBER GRIP COV (2) COMP/ELITE/S.E./SPYDER ONE (SMALL) |
| 9 | O-RING #015 80D | 33C | GRIP COVER SCREW (COMPACT/ELITE/S.E./SPYDER ONE) |
| 10A | VALVE SPRING (COMPACT & ELITE) | SMALL | |
| 11 | CUP SEAL GUIDE | 33F | NUT SCREW INSERT FOR 45 GRIP FRAME (ELITE & SPYDER ONE) |
| 12 | CUP SEAL | 34A | 1/4" X 5/8" SCREW |
| 13 | VALVE PIN | 35 | C/A ADAPTER |
| 14 | VALVE BODY | 36C | 5/32" X 7/8" SCREW (ELITE & SPYDER ONE) |
| 14A | VALVE BODY ROLL PIN | 37 | DISCONNECT HOSE |
| 15 | VALVE BODY SCREW | 37A | FILTER O-RING |
| 16 | M5X12 SCREW (TRIGGER FRAME) | 37B | AIR FILTER |
| 16B | FRAME SCREW WASHER | 37C | DISCONNECT O-RING |
| 17B | TURBULENCE BOLT | 37D | PLASTIC WASHER (DISC. HOSE) |
| 18 | STRIKER | 38 | SAFETY BUTTON SET(LARGE) INCL BALL BEARING & SPRING |
| 19 | STRIKER O-RING | 38B | BALL BEARING & SPRING |
| 20 | BARREL O-RING | 39 | STRIKER KNOB |
| 21 | BOLT PIN | 40 | POWERFEED PLUG |
| 22 | BOLT SCREW | 41C | SPARE PARTS KIT (ELITE) |
| 23 | BOLT PLUG | 42 | MALE TO MALE ADAPTER |
| 24 | SIGHT RAIL SCREW | 47 | SIGHT RAIL (BLACK) |
| 25 | STRIKER SPRING | 48 | ROLL PIN (LARGE) |
| 26 | STRIKER BUFFER | 49 | ROLL PIN (MEDIUM) |
| 27 | STRIKER SPRING GUIDE | 49A | ROLL PIN (SMALL) |
| 27A | FLAT DISC | 50 | AMMO BOX (45 RD) |
| 28 | STRIKER PLUG | 52 | ALLEN SCREW WRENCH (MEDIUM) |
| 29 | ADJUST SCREW | 53 | ALLEN SCREW WRENCH (LARGE) |
| | | 54 | ELBOW 7/8" W/HOSE CLAMPS |

> Technical Support Menu

> KingmanUSA.com Home

SPYDER SPECIAL EDITION DIAGRAM

- | | | | |
|-----|---------------------------------------|-----|---|
| 1 | MUZZLE PLUG | 31F | TRIGGER SPRING |
| 2A | 9 1/2" MUZZLE BRAKE BARREL (S.E.) | 31H | DOUBLE TRIGGER (BLACK) |
| 3 | BALL STOPPER | 31N | SPYDER/COMPACT S.E. TRIGGER FRAME W/ASSEMBLY |
| 4E | DETENT COVER (REG.) S.E. | 32B | 45 GRIP FRAME (S.E.) |
| 5 | M4X6 SCREW (DETENT SCREW) | 33A | RUBBER GRIP COV (2) COMP/ELITE/S.E./SPY ONE (SMALL) |
| 6E | RECEIVER (S.E. SPYDER) | 33C | GRIP COVER SCREW (COMPACT/ELITE/S.E./SPYDER ONE) |
| 8E | RESERVOIR PLUG (S.E.) | | SMALL |
| 9 | O-RING #015 80D | 33E | NUT SCREW INSERT FOR 45 GRIP FRAME OR RACK |
| 10 | VALVE SPRING (SPYDER) | 34A | 1/4" X 5/8" SCREW |
| 11 | CUP SEAL GUIDE | 35A | C/A ADAPTER (S.E.) |
| 12 | CUP SEAL | 36A | 5/32" X 1" SCREW (S.E. C/A ADAPTER) |
| 13 | VALVE PIN | 36B | 5/32" X 1 1/4" SCREW (S.E. C/A ADAPTER) |
| 14 | VALVE BODY | 37A | FILTER O-RING |
| 14A | VALVE BODY ROLL PIN | 37B | AIR FILTER |
| 15 | VALVE BODY SCREW | 37C | HARD LINE HOSE O-RING |
| 16 | M5X12 SCREW (TRIGGER FRAME) | 37D | PLASTIC WASHER (DISC. HOSE) |
| 16B | FRAME SCREW WASHER | 38 | SAFETY BUTTON SET(LARGE) INCL BALL BEARING & SPRING |
| 17B | TURBULENCE BOLT | 38B | BALL BEARING & SPRING |
| 18 | STRIKER | 39A | STRIKER KNOB (S.E.) BLACK |
| 19 | STRIKER O-RING | 40 | POWERFEED PLUG |
| 20 | BARREL O-RING | 41D | SPARE PARTS KIT (S.E.) |
| 21 | BOLT PIN | 42 | MALE TO MALE ADAPTER |
| 22 | BOLT SCREW | 43A | DISCONNECT HOSE (S.E. SPYDER) |
| 23A | BOLT PLUG (S.E.) | 43B | O-RING #011 (S.E.) |
| 24 | SIGHT RAIL SCREW | 44A | SPYDER EXPANSION CHAMBER (S.E.) |
| 25 | STRIKER SPRING | 45 | SHROUD W/ SCREW |
| 26 | STRIKER BUFFER | 45A | M4X4 SCREW (SHROUD & EXP CHAMBER) |
| 27 | STRIKER SPRING GUIDE | 46 | PLASTIC WEDGE |
| 27A | FLAT DISC | 47C | DELUXE SIGHT RAIL (S.E.) |
| 28A | STRIKER PLUG (S.E.) | 48 | ROLL PIN (LARGE) |
| 29A | ADJUST SCREW W/ THUMB ADJUSTER (S.E.) | 49 | ROLL PIN (MEDIUM) |
| 29B | LOCK SCREW (S.E.) | 49A | ROLL PIN (SMALL) |
| 30A | STRIKER PLUG SCREW (S.E.) | 51 | ALLEN SCREW WRENCH (SMALL) |
| 31B | SEAR | 52 | ALLEN SCREW WRENCH (MEDIUM) |
| 31E | SEAR SPRING | | |

